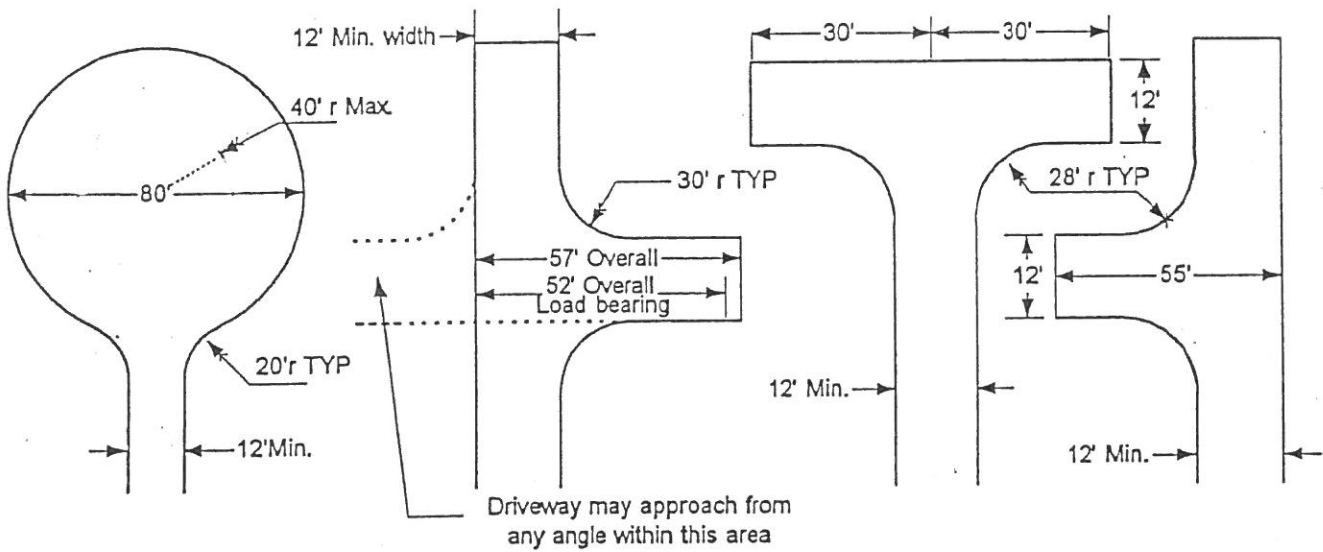
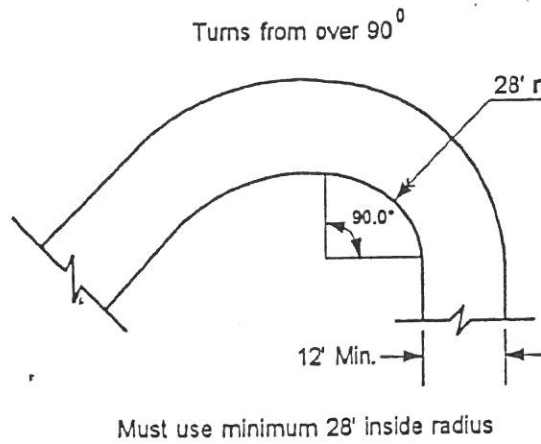
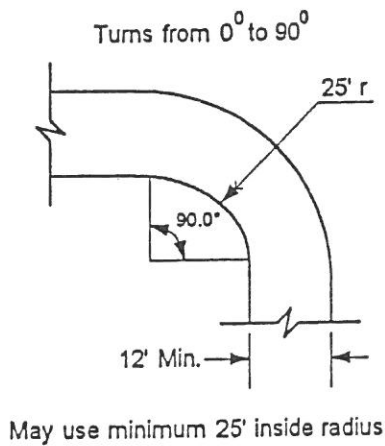


EXAMPLE B Driveway / Road Turnaround



EXAMPLE C Driveway Turning Radii



The local fire jurisdiction will consider designs other than those shown above.