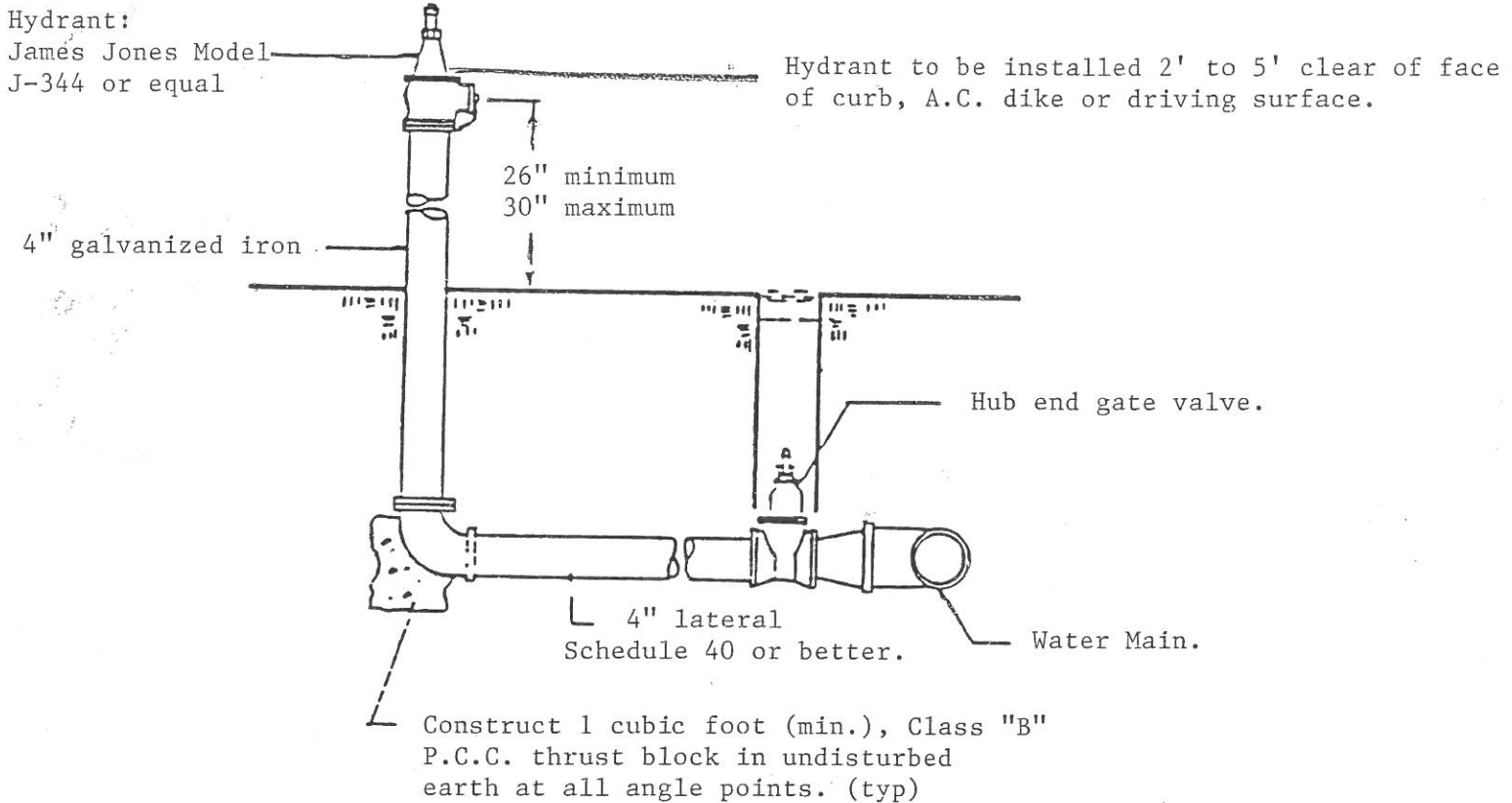


Approved by North County Fire District for minor subdivision & locations that are consistent with existing system.

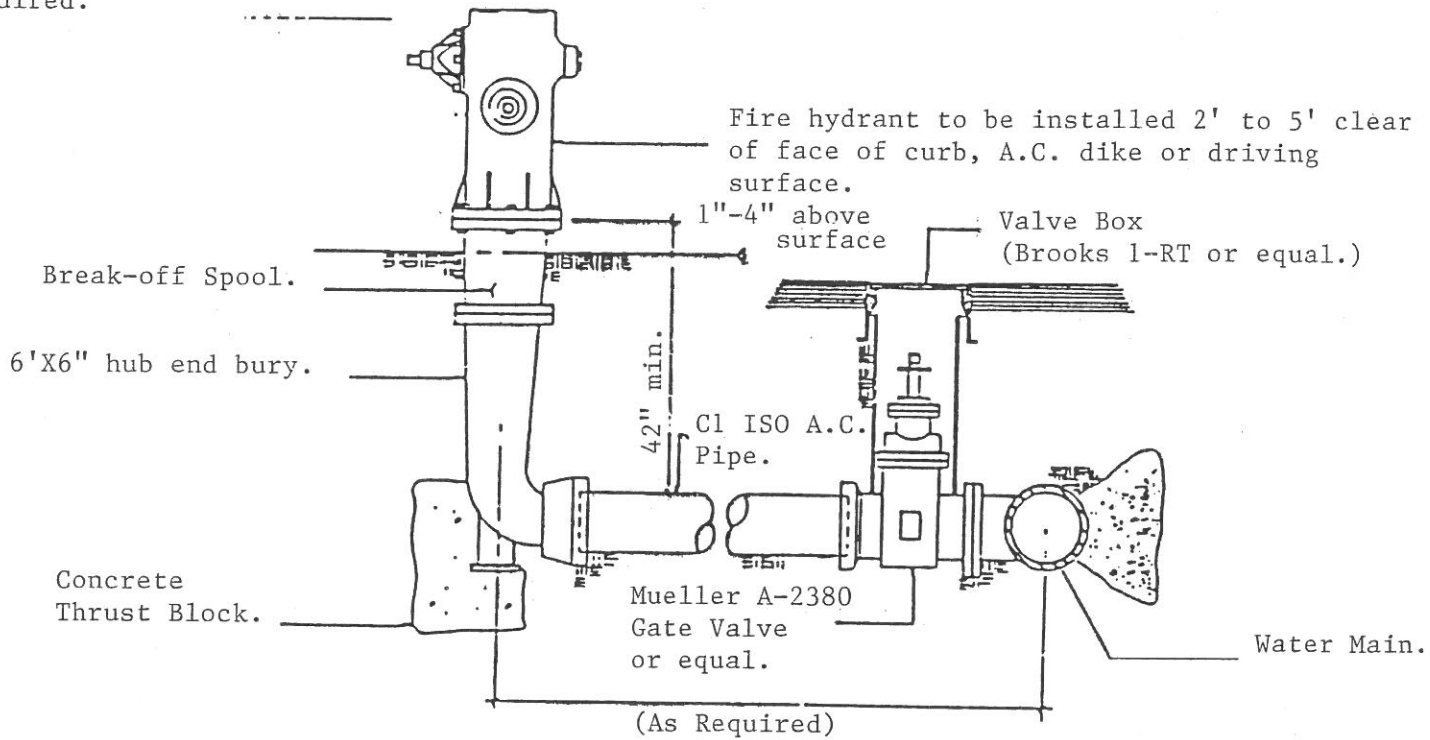


FIRE HYDRANT DETAIL

NO SCALE

- Note:
- A) Pentagon nuts shall be 1 1/8".
 - B) Plastic caps are not acceptable.
 - C) Hydrant height and distance from curb are critical issues. Make sure installer conforms to specs.
 - D) Hydrants installed on slopes require a 3' flat surface around the fire hydrant. Retaining walls may be required on the uphill slope side. On-site inspection determines need for the retaining wall.
 - E) Hydrant color shall be chrome yellow.

See notes for model number required.



TYPICAL FIRE HYDRANT DETAIL

- Notes:
- A) Pentagon nuts shall be 1 1/8".
 - B) Plastic caps are not acceptable.
 - C) Hydrant height and distance from curb are critical issues. Make sure hydrant installer conforms to specs.
 - D) Hydrant Model Numbers:
 - 1. Single Family Residential, James Jones Model J-3740 or equal.
 - 2. Multi Residential, Commercial/Industrial, James Jones Model J-3760 or equal.
 - E) Hydrants installed on slopes require a 3' flat surface around the fire hydrant. Retaining walls may be required on the uphill slope side. On-site inspection determines need for the retaining wall.
 - F) Hydrant color shall be chrome yellow.